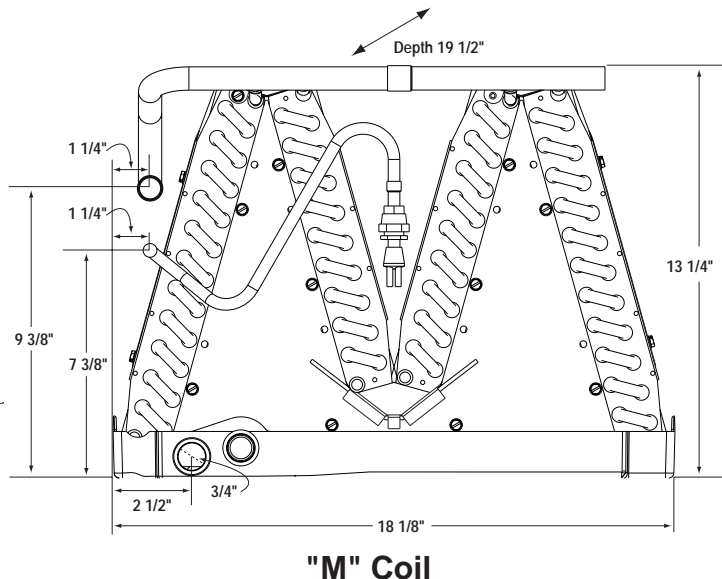
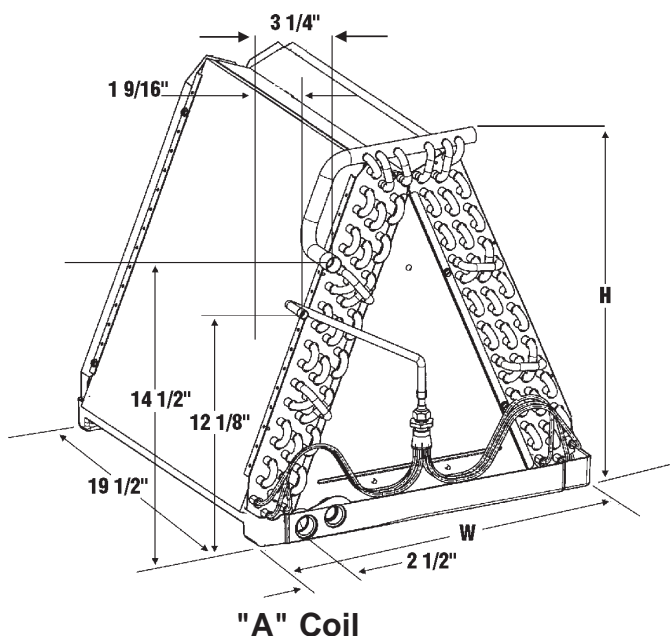
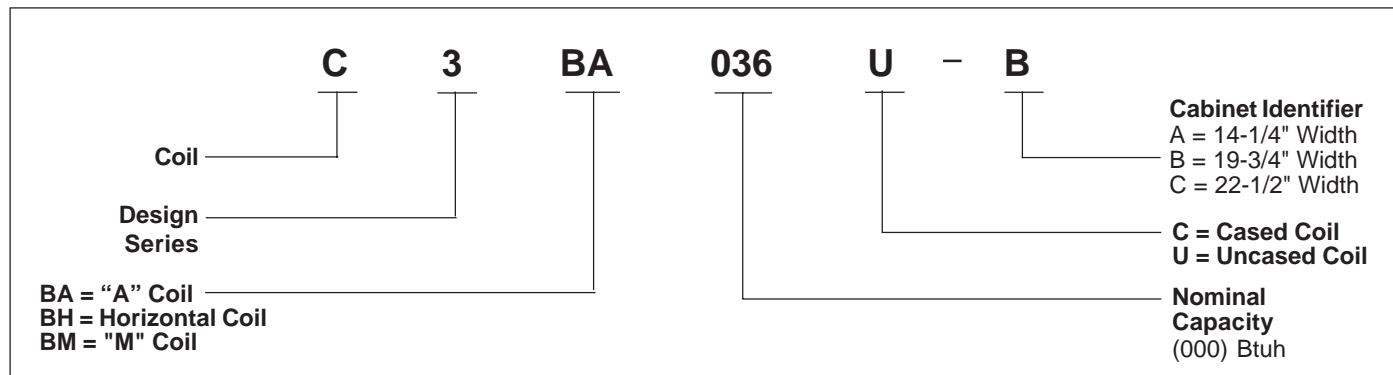


C3 Residential Indoor Coils

MODEL IDENTIFICATION CODE



COIL DATA TABLES

Model	C3BA, C3BH & C3BM	024-A (2)	030-A	036-A (2)	030-B	036-B (2)	C3BM 036	042-B	048-B (2)	048-C	060-C (2)
Face Area (ft ²)		2.75	4.18	4.18	4.18	4.18	5.04	4.18	4.18	4.18	5.58
Rows		2	2	2	2	2	2	3	3	3	3
Fins per inch		12	15	15	12	15	12	10	12	12	12
Refrigerant Flow Control		Fixed Orifice									
Orifice Size (1)		0.060/0.051*	0.063	0.067/0.063*	0.063	0.067	0.067	0.075	0.080	0.080	0.093
Nominal Airflow (cfm)		800	1125	1200	1125	1200	1350	1400	1500	1500	1800
Pressure drop at nominal airflow (in w.c.)		0.12	0.30	0.21	0.15	0.21	0.30	0.30	0.30	0.30	0.30
Dimensions:	W(width)	14 1/4	14 1/4	14 1/4	18 1/8	18 1/8	18 1/8	18 1/8	18 1/8	21	21
	H (height)	15	18 7/8	18 7/8	18 7/8	18 7/8	13	18 7/8	18 7/8	18 7/8	24 3/4
Connections:	Liquid Line	3/8	3/8	3/8	3/8	3/8	3/8	3/8	3/8	3/8	3/8
	Suction Line	3/4	3/4	3/4	3/4	3/4	3/4	3/4	3/4	3/4	7/8
Horizontal Kit		914633	914633	914633	914633	914633	914633	914633	914633	914634	914634

(1) Orifice size shown is for 10 SEER rating with S3BA outdoor unit.
(2) Available as C3BH

* Orifice size shown is for 12 SEER rating with S3BC outdoor unit.

COIL DATA TABLES (continued)

C3 & C3BH Series Cased Coil Dimensions

Cabinet Identifier	Overall			Bottom Opening		Top Opening	
	D	W	H	B	E	F	G
A	20 3/4	14 1/4	20	8	16 5/8	12 7/8	19 3/4
B	20 3/4	19 3/4	20	11	16 5/8	18 3/8	19 3/4
C	20 3/4	22 1/2	24 1/4	14	16 5/8	21 1/8	19 3/4

See Figure 2.

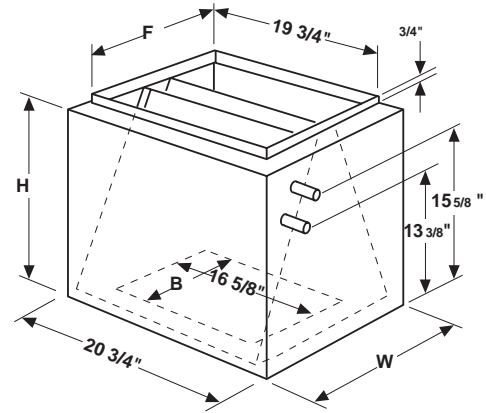


Figure 1. C3BA Cased Coil

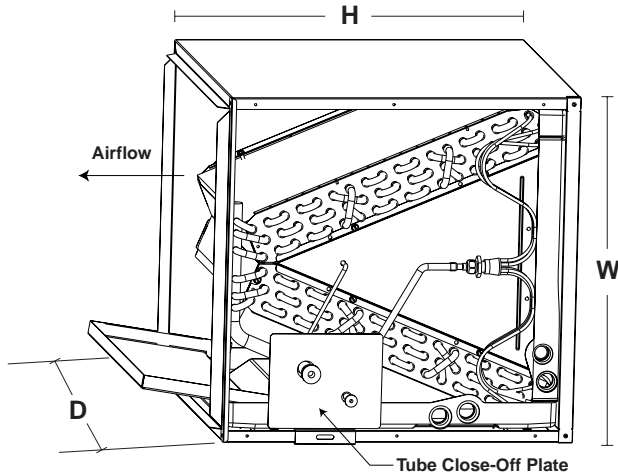


Figure 2. Horizontal Left Configuration

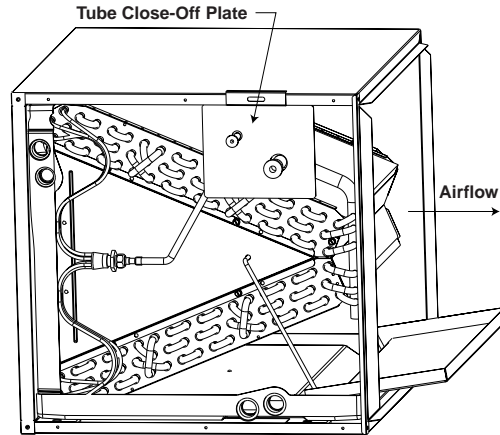


Figure 3. Horizontal Right Configuration

Drain Pan—Bottom View

Dimension	C3 Series		
	"A" Cabinet	"B" Cabinet	"C" Cabinet
A	12 3/4	18 1/8	21 1/16
B	8	11	14
C	19 1/2	19 1/2	19 1/2
D	16 5/8	16 5/8	16 5/8

See Figure 4.

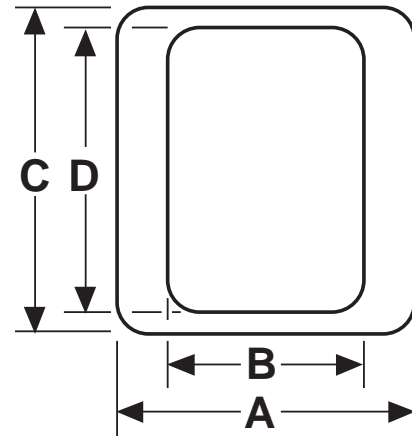


Figure 4. Drain Pan Dimensions



CERTIFICATION APPLIES ONLY WHEN THE COMPLETE SYSTEM IS LISTED WITH ARI

