

---

## TECHNICAL SPECIFICATIONS

---


# G6RC Series

## High Efficiency / Direct Vent or Non Direct Vent Condensing Upflow Gas Furnace

**Induced Draft - 90+ AFUE Input 40,000 - 120,000 Btuh**

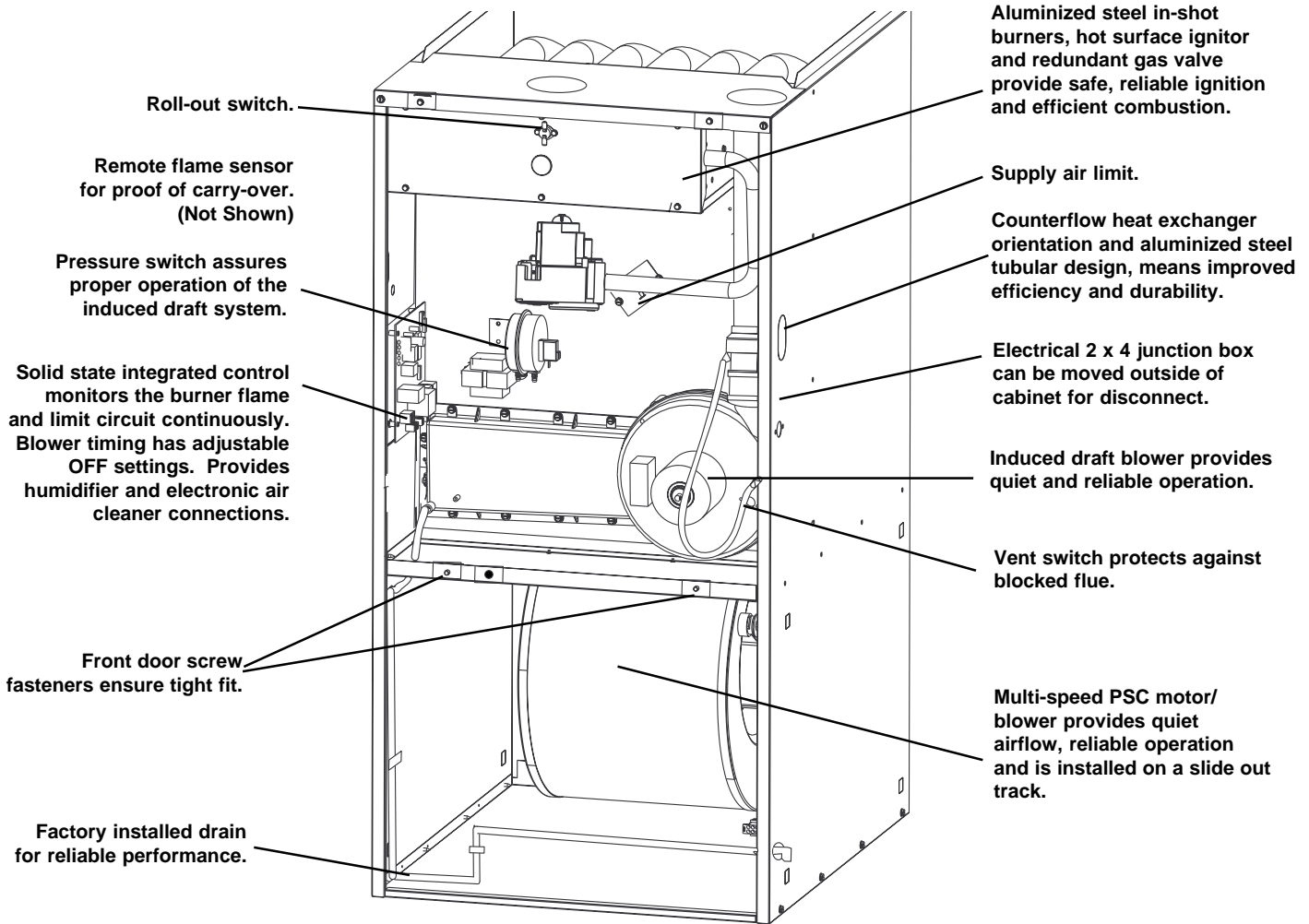
The high efficiency upflow gas furnace may be installed free standing in a utility room, basement, or enclosed in an alcove or closet. The extended flush jacket provides a pleasing "appliance appearance." Design certified by the American Gas Association (AGA) Laboratories and the Canadian Gas Association (CGA) Laboratories. The product is truly designed with the contractor and the consumer in mind.

### Features and Benefits

- Best warranty in the business —
    - A lifetime warranty on the heat exchanger
    - 6-year limited warranty on all parts
  - 100% fired and tested — All units and each component (both mechanical and electrical) are tested on the manufacturing line.
  - Best packaging in the industry — Unique design assures product will arrive to the homeowner dent free.
  - Clean and quiet operation — Due to the unique design of in-shot burners, location of inducer and use of insulation.
  - Fixed 30 second blower delay at burner start-up assures a warm duct temperature at furnace start-up. Adjustable blower off settings (60, 120, 160 and 180 seconds).
  - Fixed 30-second post purge increases life of heat exchanger.
  - Dependable, shock-mounted hot surface ignitor — Innovative application of an appliance type ignitor with a 20-year history of reliability, assures no call-backs because of handling.
  - Color coded wire harness — Designed to fit the components, all with quick-connect fittings for ease of service and replacement.
  - Tubular primary heat exchanger — Heavy gauge aluminized steel heat exchanger assures a long life.
  - Stainless steel secondary heat exchanger assures a long life.
  - 90-second fixed cooling cycle blower-off delay (TDR) increases cooling performance when matched with a NORDYNE coil.
  - Approved for direct vent furnace, category IV venting system — May be vertically or horizontally vented using either a one-pipe or two-pipe system for maximum flexibility in installation.
  - Variable speed blower kit is available to maximize air conditioner and heat pump efficiencies. On selected units, SEER ratings up to 14 and HSPF ratings up to 8.5 are ARI listed.
  - Multi-speed direct drive blower — Designed to give a wide range of cooling capacities. 40VA transformer included.
  - LP convertible — Simple burner orifice and regulator spring change for ease of convertibility.
- 
- Factory installed drain system for reliable performance.
  - Diagnostic light flashes identify limit failure, pressure switch failure and improper ground and polarization — for easy troubleshooting.
  - Incorporates new integrated control board with connections for electronic air cleaner, humidifier and twinning.
  - New two piece door design enhances furnace appearance and uses screw fasteners for great fit and accessibility.
  - 3 amp fuse protection against high and low voltage shorts; protects transformer and control board.
  - Low voltage terminal board for easy field wiring.
  - Components and Controls — Designing quality into our products means selecting manufacturers that have a reputation for delivering high quality, dependable products.

# FEATURES

## High Efficiency Upflow 90+ Gas Furnace



## STANDARD EQUIPMENT

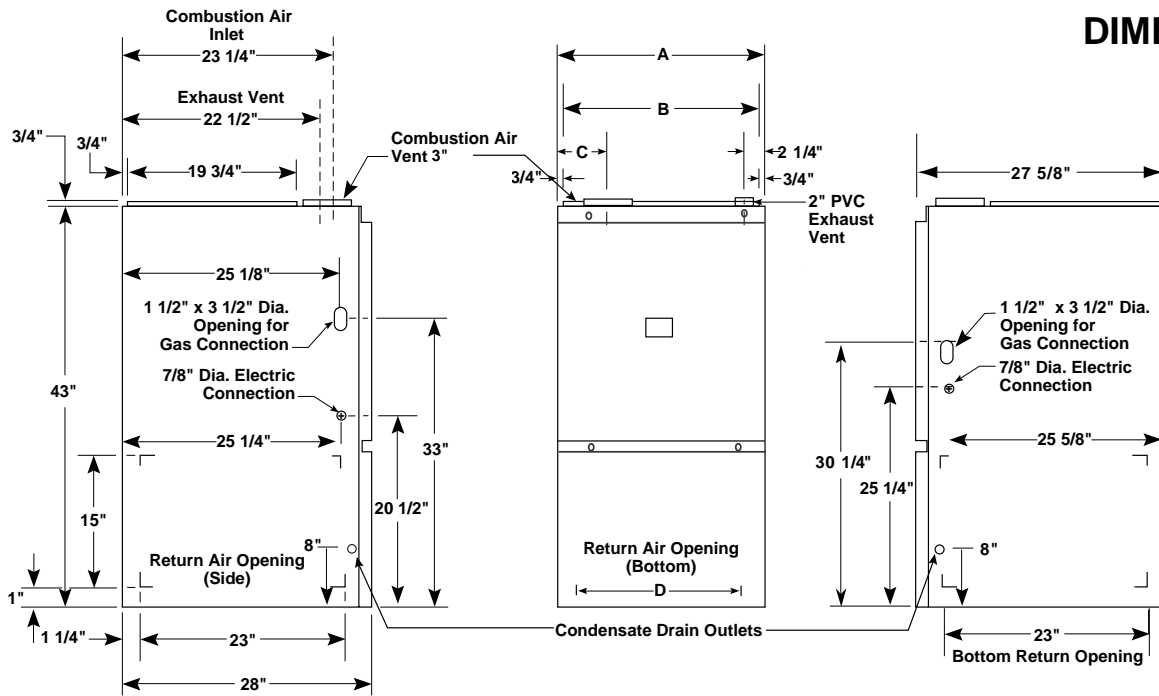
Direct vent; draft inducer; pressure switch; redundant main gas control; hot-surface ignition; timed ON/OFF blower controls (TDR); 40VA transformer for air conditioner application; limit controls; direct drive motor; all models can be converted to use L.P. (propane) gas. Factory approved kits *only* must be used and are available as an optional accessory from your NORDYNE distributor.

## SPECIFICATIONS

G6RC MODEL NUMBERS:	-040C-12	-060C-12	-080C-16	-100C-16	-120C-16	-120C-20
Input-Btuh (a)	40,000	60,000	80,000	100,000	120,000	120,000
Heating Capacity - Btuh	36,000	54,000	72,000	90,000	108,000	108,000
<b>AFUE</b>	<b>90+</b>	<b>90+</b>	<b>90+</b>	<b>90+</b>	<b>90+</b>	<b>90+</b>
Blower D x W	10 x 6	10 x 6	10 x 10	10 x 10	10 x 10	11 x 10
Motor H.P. -Speed -Type	1/3 - 3 - PSC	1/3 - 3 - PSC	1/2 - 4 -PSC	1/2 - 4 -PSC	1/2 - 4 -PSC	3/4 - 4 -PSC
Motor FLA	6.0	6.0	7.9	7.9	7.9	11.1
Maximum Ext. SP - In. W.C.	0.5	0.5	0.5	0.5	0.5	0.5
Temperature Rise Range - °F	35 - 65	45 - 75	40 - 70	45 - 75	55 - 85	55 - 85

Note: All models are 115V, 60 Hz. Gas Connections are 1/2" N.P.T. AFUE = Annual Fuel Utilization Efficiency  
 (a) Ratings to 2,000 ft. Over 2,000 ft. reduce 4% for each 1,000 ft. above sea level.

## DIMENSIONS



MODEL NUMBER G6RC	Dimensions				Shipping Weights (lbs)
	A (in.)	B (in.)	C (in.)	D (in.)	
40,000	14 1/4	12 3/4	5 1/8	11 3/4	133
60,000	14 1/4	12 3/4	5 1/8	11 3/4	140
80,000	19 3/4	18 1/4	7 7/8	17 1/4	172
100,000	19 3/4	18 1/4	7 7/8	17 1/4	180
120,000	22 1/2	21	9 1/4	20	198

## BLOWER PERFORMANCE

Model No. G6RC	Blower Speed	External Static Pressure - Inches Water Column									
		0.1		0.2		0.3		0.4		0.5	
		CFM	Rise	CFM	Rise	CFM	Rise	CFM	Rise	CFM	Rise
040C-12	High *	1330	-	1280	-	1230	-	1170	-	1120	-
	Medium	1190	-	1160	-	1110	-	1060	-	1010	-
	Low **	830	42	810	43	780	45	760	46	720	49
060C-12	High *	1310	-	1260	-	1210	-	1160	-	1100	-
	Medium	1160	45	1120	47	1080	49	1050	50	990	53
	Low **	800	66	780	67	760	69	740	71	710	74
080C-16	High *	1840	-	1780	-	1700	-	1630	-	1550	-
	Med-High	1600	43	1560	44	1470	47	1400	49	1350	51
	Med-Low **	1380	50	1350	51	1300	53	1250	55	1190	58
100C-16	High *	1910	-	1860	-	1780	-	1700	-	1620	-
	Med-High **	1640	53	1620	54	1540	57	1480	59	1420	62
	Med-Low	1440	61	1410	62	1370	64	1320	66	1270	70
120C-16	High *	1860	56	1800	58	1730	61	1650	64	1570	67
	Med-High **	1650	64	1610	65	1550	68	1480	71	1410	74
	Med-Low	1440	73	1410	74	1380	76	1320	80	1280	82
120C-20	High *	2260	46	2200	47	2140	49	2070	50	1990	52
	Med-High	1870	56	1840	56	1790	58	1760	59	1710	61
	Med-Low **	1540	67	1530	68	1510	69	1470	71	1430	73
	Low	1360	-	1330	-	1310	-	1280	-	1250	-

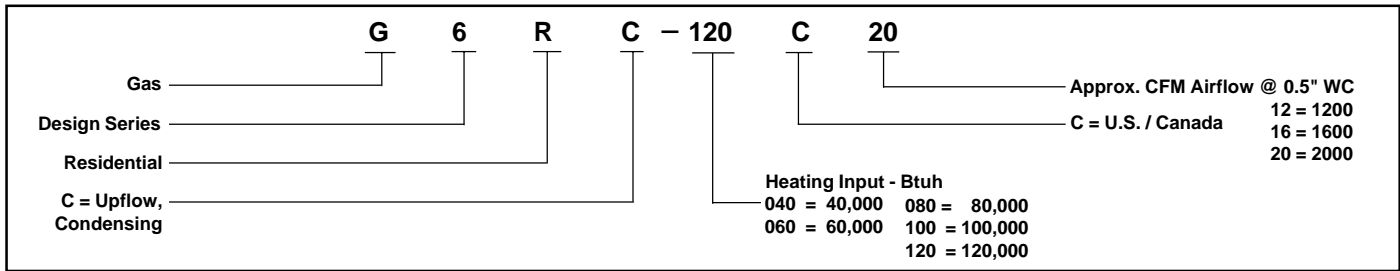
\* Factory wired cooling speed tap.

\*\* Factory wired heating speed tap.

- Not Recommended

NOTE: Airflow rates of 1800 CFM or more require two air return connectons. Data is for operation with filters.

## IDENTIFICATION CODE



## VENTING

All models are approved for vertical non direct (1 pipe) and direct (2 pipe) venting applications. See Vent Table below for specified sizes and allowable lengths.

## VENT TABLE

APPLICATION PVC, CPVC or ABS SCH. 40 Pipe Size	SINGLE PIPE LENGTH (ft.) with 1 long radius elbows*.		DIRECT VENT, DUAL PIPE LENGTH (ft.) with 1 long radius elbows on each pipe.*					
	Outlet 2"	Outlet 3"	Inlet/Outlet 2"		Inlet/Outlet 3"		Inlet/Outlet 3"	
Models G6RC,D,L 040	80	150	40	40	50	50	90	90
Models G6RC,D,L 060 & 080	60	150	30	30	35	35	90	90
Models G6RC,D,L 100 & 120	30	150	15	15	25	25	90	90

\* NOTE:

1. Subtract 2.5 ft. for each additional 2" elbow and 3.5 ft. for each additional 3" elbow.
2. Two 45 degree elbows are equivalent to one 90 degree elbow.
3. One short radius elbow is equivalent to two long radius elbows.
4. Do not include termination elbows in calculation of vent length.
5. This table is applicable for elevations from sea level to 2000 ft. For higher elevations decrease vent pipe lengths by 8% per 1000 ft. of altitude.
6. Only the above pipe materials are approved for use with G6 Condensing Furnaces.

## ACCESSORIES

High Efficiency 90+ with Honeywell VR Gas Valve		
Kit		Order Number
U.S. LP Conversion Kit (0 to 10,000 ft.)		903616
Canadian LP Gas Conversion Kit (0 to 4,500 ft.)		903617
Fossil Fuel Kit		914762
Side Return Filter Kit		541036
Bottom Return	A Cabinet	903088
Filter Kits	B Cabinet	903089
	C Cabinet	903090
Internal Side Return Filter Wire		903152

## Vent Kits

Kit Description	2" PVC	3" PVC	4" PVC
Horizontal Exterior Vent Mounting Kit	9023730	9023750	9023760
Neutralizer Kit (all models)	9023770		

## GENERAL TERMS OF LIMITED WARRANTY \*\*

NORDYNE will furnish a replacement for any part of this product which fails in normal use and service within the applicable periods stated below, in accordance with the terms of the warranty.

G6RC Models Warranty  
Gas Heat Exchanger ..... Lifetime Limited Warranty\*  
Any Other Part..... 6-Year Limited Warranty

\* For original owner only – not transferable.

\*\* For complete details of the Limited Warranty, including applicable terms & conditions, see your local installer or contact the factory for a copy.



As an Energy Star Partner, NORDYNE has determined that this product meets the Energy Star guidelines for energy efficiency.