

L4064 Fan and Limit Controllers

For control of high limit and fan motor in all types of forced air heating systems.

- Three wiring terminal options available for easy installation:
 - push-in receptacles for stripped wire,
 - female receptacles for ¼-in. male flag connectors, and
 - field add-on screw terminals.
- Controls adapt to many competitive mounting holes in replacement applications.
- Available in a variety of fan and high limit setting ranges.
- L4064B,W models have manual fan switch that overrides fan control to keep fan running continuously.



- SUPER TRADELINE models include deluxe case with mounting adapters for easy installation and strain relief bushings to protect wiring from field abuse.

APPROVALS:

Underwriters Laboratories Inc. Listed: for L4064B.

Underwriters Laboratories Inc. Component Recognized: for L4064W.

Canadian Standards Association Certified: for all models.

ELECTRICAL RATINGS (A):

	120 Vac		240 Vac	
	Fan	Limit	Fan	Limit
Full Load	14	8	7	4
Locked Rotor	84	48	42	24

Pilot Duty: 2A at 24 Vac; 0.25A at 0.25 to 12 Vdc.

Load: 2000 VA.

continued next page

Warm Air Controls

L4064 continued

TEMPERATURE RATINGS:

	L4064B		L4064W	
	F	C	F	C
Scale Range	50 to 250	10 to 121	50 to 250	10 to 121
High Limit Range	100 to 250	38 to 121	100 to 250	38 to 121
High Limit Differential, Fixed	25	14	25	14
FAN-ON Setting Range	65 to 215	18 to 102	Fan comes on about 20 to 90 sec. after call for heat. ^a	
FAN-OFF Setting Range	50 to 200	10 to 96	50 to 200	10 to 96
Fan Differential, Adj.	22, min.	12, min.	—	—
Minimum Switch Temp.	-40	-40	+50	+10
Maximum Switch Temp.	190	88	115	46
Maximum Element Temp.	350	177	350	177

^a From cold start with L4064W bimetal fan switch heater voltage between 23.6 Vac and 27.4 Vac.

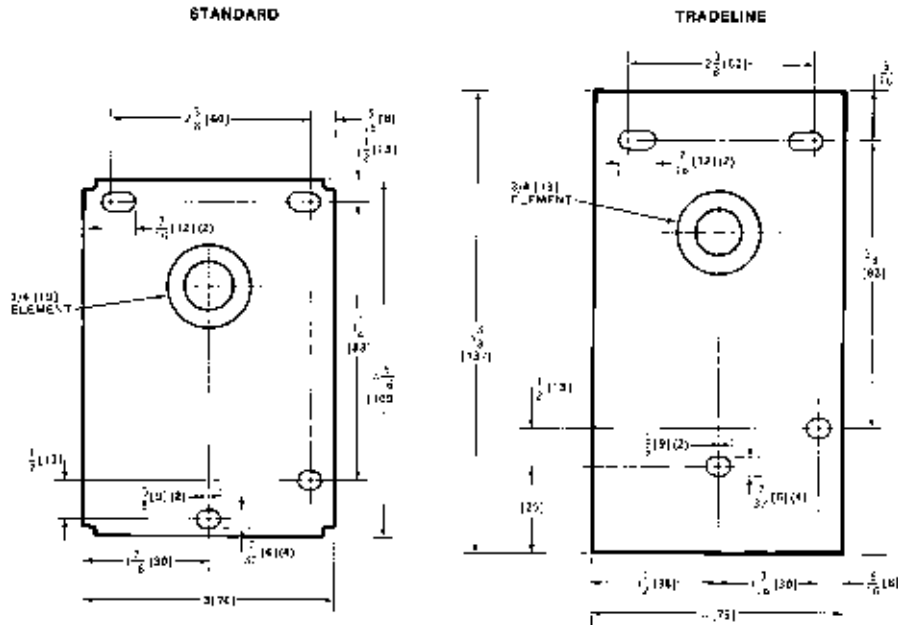
ACCESSORIES:

- 129250AA Rigid Bracket. Double wing, with No. 8-32 setscrew.
- 110265A Rigid Bracket. Single wing, with No. 8-32 setscrew.

196722 Standard Limit Stop Adjustment Tool.

- 857780AFC 3-in. (76 mm) Leadwires (2) with ¼ in. (6 mm) Male Spade Connectors attached.

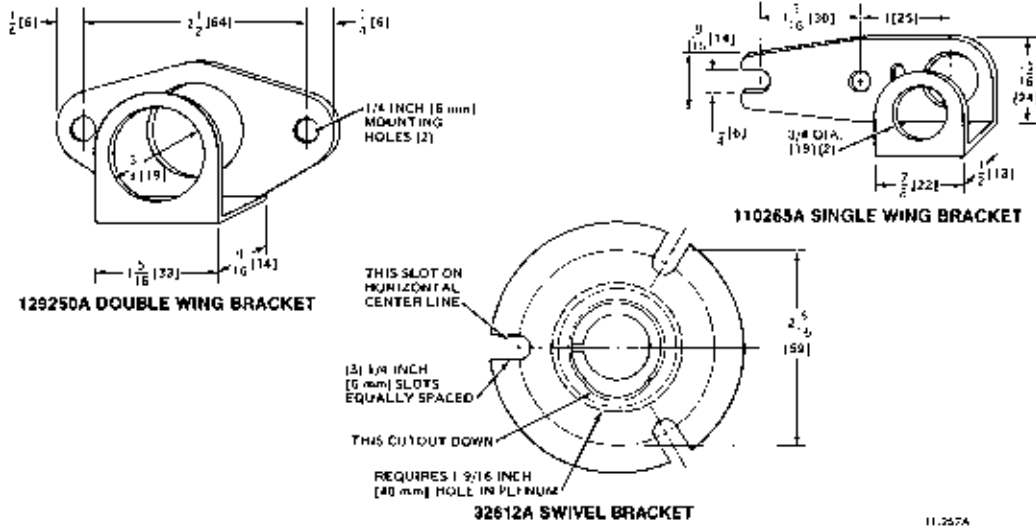
Dimensions of L4064 in in. (mm).



Warm Air Controls

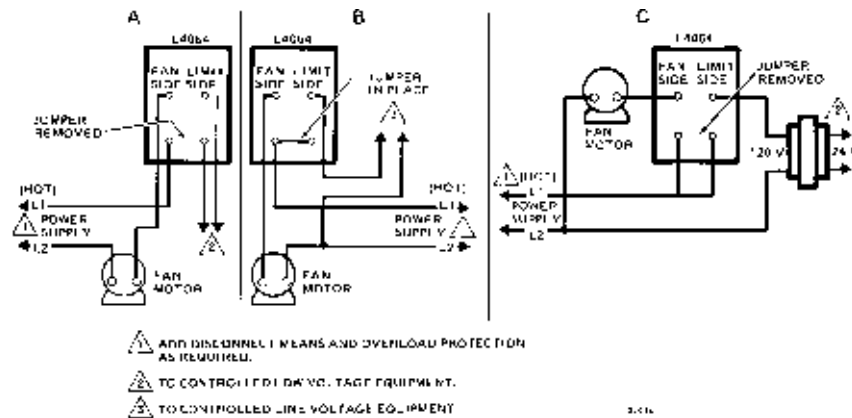
L4064 continued

Dimensions of mounting brackets for L4064 in in. (mm).



Home Controls and Systems

- A: L4064 limit in low voltage circuit.
- B: L4064 limit in line voltage circuit.
- C: L4064 limit in line voltage circuit without jumper.



*TRADELINE models. • SUPER TRADELINE models.

Order Number	Application	Element Insertion Length		Mounting	Includes
		in.	mm		
•L4064B1451a	Turns fan on and off according to plenum temperature. With helical bimetal sensing element. High limit stop factory-set at 200 F (93 C). Replaces L4064A,B,E.	11½	292	Rigid bracket	Two 5-in. leadwires with ¼-in. male flag quick-connect, four add-on screw terminals, two jumpers for line voltage fan and limit interconnect, rigid mounting bracket ^b , insertion tube adapter (allowing replacement of 5/8, ¾ or 1 in. (16, 19 or 25 mm) dia. element models), and two snap-on strain reliefs.
•L4064B1469a		5	127		
*L4064B2210a		11½	292	Surface	Two leadwires with ¼ in. (6 mm) male flag terminal attached, four add-on screw terminals, and two jumpers for line voltage fan and limit interconnect.
*L4064B2228a		5	127		
*L4064B2236a		8	203		

continued next page

Warm Air Controls

L4064 continued

*TRADELINE models. • SUPER TRADELINE models.

Order Number	Application	Element Insertion Length		Mounting	Includes
		in.	mm		
*L4064W1080 ^a	Bimetal heater switch turns fan on approximately 20 to 90 seconds after thermostat calls for heat at a cold start ^c . High limit stop factory-set at 200 F (93 C). Replaces L4064T,Y.	5	127	Surface or rigid bracket	Two leadwires with ¼ in. (6 mm) male flag terminals attached, two ¼ in. (6 mm) female quick-connect terminals for low volt heater terminal connection, four add-on screw terminals, and two jumpers for line voltage fan and limit interconnect.
*L4064W1098 ^a		8	203		
*L4064W1106 ^a		11½	292		

- ^a With manual fan switch to override fan setpoints and keep fan running continuously.
^b Use of rigid mounting bracket allows installer to vary insertion length to fit application.
^c Timing varies according to voltage applied to fan switch heater and ambient temperature at switch.

L4017 Combination Fan and Limit Controls

For high limit burner cutout and plenum temperature control of fan motor on forced warm air furnaces.



- For use in line voltage, low voltage or millivolt (self-generating) systems.
- Fan switch makes and limit switch breaks on temperature rise.
- Flexible, liquid-filled element actuates enclosed snap switches.
- MANUAL-AUTO fan switch permits continuous fan operation when switch is in MANUAL position.

APPROVALS:

Underwriters Laboratories Inc. Listed: File no. MP466, Vol. 1, Guide no. MBPR2.
 Canadian Standards Association Certified: File no. LR95329-1.

ELECTRICAL RATINGS (A):

	120 Vac		240 Vac	
	Fan	Limit	Fan	Limit
Full Load	14	8	7	4
Locked Rotor	84	48	42	24

Pilot Duty: 0.25A at 0.25 to 12 Vdc, (millivolt systems).
 Load: 2000 VA.

TEMPERATURE RATINGS:

Maximum Ambient: 190 F (88 C) at switches; 300 F (149 C) at sensing element.

High Limit:

Factory-Set Stop: 200 F (93 C).

Operating Range:

Fan On: 60 F to 140 F (16 C to 60 C).

Limit: 170 F to 250 F (77 C to 121 C).

Differential:

Limit Switch: 25 F (14 C), fixed.

Fan Switch: 15 F to 50 F (8 C to 28 C), adjustable.

DIMENSIONS, APPROXIMATE:

Case: 5½ in. (141 mm) high, 3⅞ in. (87 mm) wide, 2⅞ in. (73 mm) deep.

ACCESSORIES:

107324A Capillary Holder, 8⅞ in. (213 mm) long.

*TRADELINE models.

Order Number	Dimensions, Approximate Element Insertion Length ^a	Includes
L4017A1188	30 in. (762 mm) capillary.	Limit stop adjustment tool.
*L4017B1186	60 in. (1524 mm) capillary (incl. bulb).	Limit stop adjustment tool and element support bracket.
*L4017B1194	10 in. (254 mm), self-supporting.	Limit stop adjustment tool.

^a Element Insertion length includes capillary length plus element length.