

Gas Burner Controls—Pilot Accessories

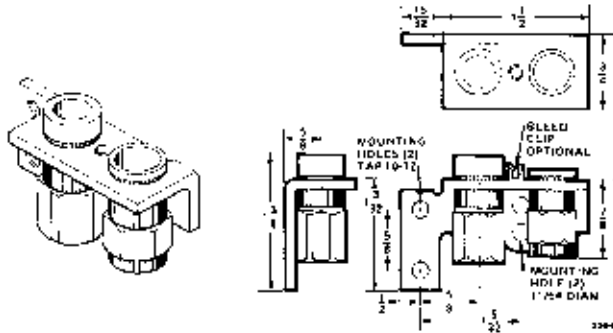
Q314 Pilot Burner

Nonprimary-aerated, insert orifice-type pilot burner for main burner ignition with Q340 or Q390 Thermocouple for Pilotstat safety control operation.

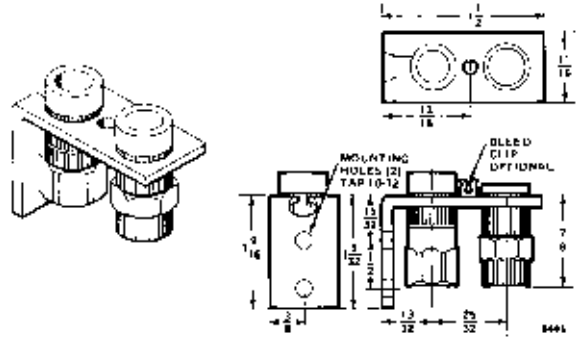
- Use with Q313 Thermopile Generator for 750 mV Powerpile applications.



A-type mounting bracket.



B-type mounting bracket.



*TRADELINE models. • SUPER TRADELINE model.

Order Number	Tip Style ^a	Type of Gas	Mounting Bracket	Includes
Q314A3513		Natural	A	1/4 in. cc inlet fitting.
Q314A3547			A	
Q314A3661			D	0.018 orifice.
Q314A3729			B	0.018 orifice; 1/4 in. cc inlet fitting.
• Q314A4586		Natural, LP	B	Natural Gas orifice; LP gas orifice; 1/4 in. cc inlet fitting; special mounting bracket with screws for converting "B" Bracket to "A."
*Q314A6094		Natural, LP	B	
*Q314A6102		Natural, LP	B	

^a • denotes thermocouple.