

---

## TECHNICAL SPECIFICATIONS

---

### S3BC Series Extra High Efficiency Air Conditioner 12+ SEER Residential System 1-1/2 – 5 Ton Capacity

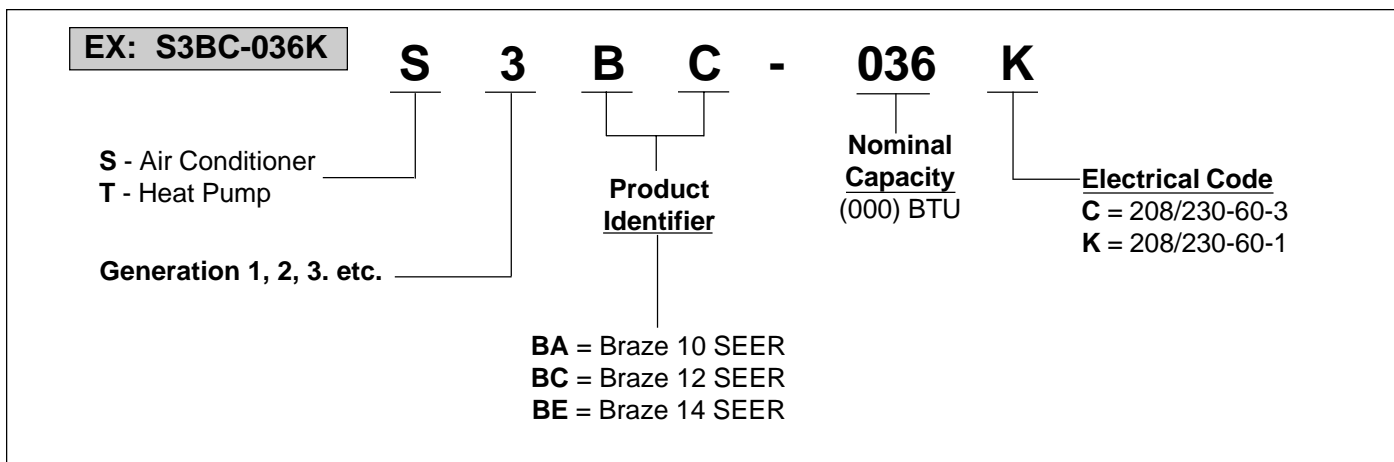
The S3BC Series of air conditioners offers exceptional performance from a small, compact package. The unit, when combined with our engineered coils or air handlers, offers a full line of quality, split system cooling equipment. Units are ideally sized for slab or rooftop mounting in single, multifamily, and light commercial applications.



### FEATURES and BENEFITS

- **Durable, Attractive Cabinet** – Designed using galvanized steel with a high gloss polyester urethane powder coat finish. The 750 hour salt spray finish is 1.5 mil thick and resists corrosion 50% better than comparable units.
- **Copper Tube / Aluminum Fin Coils** – Both indoor and outdoor coils are designed to optimize heat transfer, minimize size and cost, and increase durability and reliability.
- **Permanently Lubricated Motor** – A heavy duty PSC motor for long lasting reliability and quiet operation.
- **Full Service Valves** – These brass valves are easily accessible and simplify servicing of the refrigeration system.
- **Plastic Coated Coil Guard** – A wire guard that will never rust and protects the units coil from being damaged by balls, lawnmowers, etc.
- **Removable Top Grille Assembly** – Allows ease of service from the top without disconnecting fan motor leads.
- **One Piece Top/Orifice** – Designed for maximum airflow and quiet operation.
- **2-1/2" Pedestal Base** – The sturdy base keeps the bottom of the coil out of harms way. Secondly, the base has weep holes along the edge to allow the water from rain to flow away from the unit.
- **Five Minute Restart Time Delay** – When the unit shuts down, a five minute delay keeps the unit from restarting, eliminating the highest cause for compressor failure.
- **Crankcase Heat** – Protection from liquid flood back and future compressor failures (except scroll compressor units).
- **Easy Compressor and Control Access** – Designed to make servicing easier for the contractor, access panels are provided to all controls and the compressor from the side of the unit.
- **6 Year Limited All Parts Warranty** – The best in the industry and has proven to be a major benefit to the consumer.

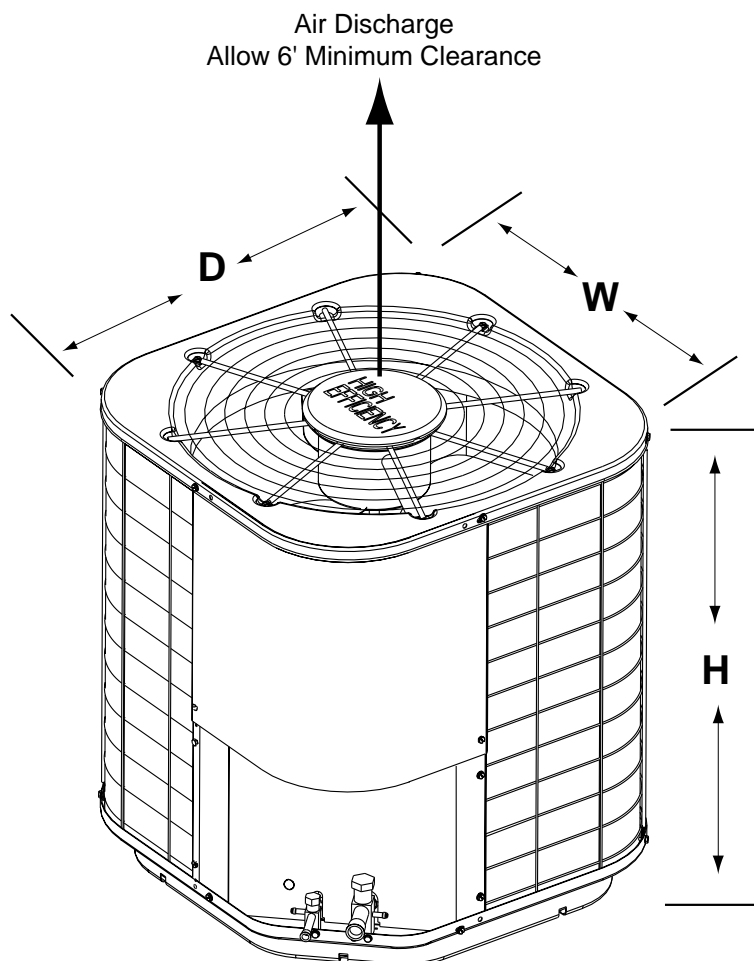
## MODEL IDENTIFICATION CODES



## DIMENSIONS

### AIR CONDITIONER OUTDOOR SECTION

S3BC-	018	024	030	036	042	048	060
H	26-1/2	26-1/2	30-1/2	34-1/2	38-1/2	38-1/2	42-1/2
W	30-1/2	30-1/2	30-1/2	30-1/2	30-1/2	30-1/2	30-1/2
D	30-1/2	30-1/2	30-1/2	30-1/2	30-1/2	30-1/2	30-1/2



# PHYSICAL AND ELECTRICAL SPECIFICATIONS / OUTDOOR UNITS

## 13 SEER — Extra High Efficiency — Single Phase

Model No. S3BC-		018K	024K	030K	036K	042K	048K	060K	
Electrical Data	Volts-Cycles-Phase	208/230-60-1	208/230-60-1	208/230-60-1	208/230-60-1	208/230-60-1	208/230-60-1	208/230-60-1	
	Total Amps	10	11.2	12.5	15.7	17.6	25.2	30.3	
	Delay Fuse Max.	20	20	25	30	35	50	60	
	Min. Circuit Ampacity	12.1	13.6	15.3	19.3	21.7	31.1	37.5	
Condenser Data	Coil	Area	15.3	15.3	17.9	20.4	23.0	23.0	25.5
		Rows-FPI	1-22	1-22	1-22	1-22	1-22	1-22	1-22
		Tube Dia.	3/8 O.D.	3/8 O.D.	3/8 O.D.	3/8 O.D.	3/8 O.D.	3/8 O.D.	3/8 O.D.
	Fan Motor	Type	PSC	PSC	PSC	PSC	PSC	PSC	PSC
		Amps	1.4	1.4	1.4	1.4	1.5	1.5	1.5
		Watts-HP	245	245	245	245	300	300	300
	Fan Blade	Dia.-#Blades	24 in. - 2	24 in. - 2	24 in. - 2	24 in. - 2	24 in. - 3	24 in. - 3	24 in. - 3
		SCFM	3300	3300	3300	3300	4000	4000	4000
	Compressor	RLA	8.6	9.8	11.1	14.3	16.1	23.7	28.8
		LRA	49	56	61	82	96	129	169
Refrigerant Suction Line-Length/O.D. (Liq. Line All Lengths - 3/8" O.D.)	15 ft.	5/8"	5/8"	3/4"	3/4"	3/4"	7/8"	7/8"	
	25 ft.	3/4"	3/4"	3/4"	3/4"	7/8"	7/8"	1-1/8"	
	40 ft.	3/4"	3/4"	3/4"	7/8"	7/8"	7/8"	1-1/8"	
Refrigerant Charge (Outdoor unit, Indoor Unit R-22 Ounces 15' Line Set)		88	96	94	114	125	130	145	
Weight	Net	160	162	177	191	205	211	226	
Approximate (lbs.)	Ship	172	174	189	203	217	223	238	

Values shown are most severe and may vary slightly depending on the make of the compressor supplied.

- (1) Operating Voltage Range: 187v min. — 253v max.
- (2) HACR Type Circuit Breakers may be used.
- (3) Requires 3/4" to 5/8" reducer from unit to line.
- (4) Requires 7/8" to 3/4" reducer from line to unit.
- (3) Requires 7/8" to 1-1/8" reducer from line to unit.

## ACCESSORIES - Condensing Unit

### Start Assist Kit - 912933

Provides additional starting torque for the compressor motor when operating with low line voltage or high operating temperatures.

### Thermostat

Two thermostats are available.

**911096** - Single-Stage

**911100** - Two-Stage Heat / One-Stage Cool

### Fan Delay Kit

**911758** - 80-second fan delay

COPPER WIRE SIZE — AWG (1% Voltage Drop)				
Supply Wire Length-Feet				Supply Circuit
200	150	100	50	Ampacity
6	8	10	14	15
4	6	8	12	20
4	6	8	10	25
4	4	6	10	30
3	4	6	8	35
3	4	6	8	40
2	3	4	6	45
2	3	4	6	50

Wire Size based on N.E.C. for 60° type copper conductors.

# SYSTEM HEATING & COOLING CAPACITIES

12 SEER — Extra High Efficiency — Single Phase

Outdoor Unit Number	Indoor Unit Number	BTUH	SEER	SCFM	Orifice
S3BC-018K	C3BA-024C/U-B	18400	12.0	650	0.060
S3BC-024K	C3BA-030C/U-B	23800	12.0	700	0.063
S3BC-030K	C3BA-036C/U-B	29000	12.0	900	0.068
S3BC-036K	C3BA-042C/U-B	35600	12.0	1200	0.077
S3BC-036K	C3BA-042C/U-C	35600	12.0	1200	0.077
S3BC-042K	C3BA-048C/U-B	41000	12.0	1300	0.085
S3BC-042K	C3BA-048C/U-C	41500	12.0	1300	0.085
S3BC-048K	C3BA-060C/U-C	48000	12.0	1600	0.090
S3BC-060K	C3BA-066C/U-C	58000	12.0	1700	0.103

Outdoor Unit Number	Indoor Unit Number	BTUH	SEER	SCFM	Orifice
S3BC-018K	B2B(M,V)-024K-B	18400	12.0	650	0.060
S3BC-024K	B2B(M,V)-030K-B	23800	12.0	700	0.063
S3BC-030K	B2B(M,V)-036K-B	29000	12.0	900	0.068
S3BC-036K	B2B(M,V)-042K-B	35600	12.0	1200	0.077
S3BC-042K	B2B(M,V)-042K-C	41500	12.0	1300	0.085
S3BC-048K	B2B(M,V)-060K-C	48000	12.0	1600	0.090
S3BC-060K	B2B(M,V)-066K-C	58000	12.0	1700	0.103



As an Energy Star Partner, NORDYNE has determined that our selected products meet the Energy Star guidelines for energy efficiency.



CERTIFICATION APPLIES ONLY WHEN THE COMPLETE SYSTEM IS LISTED WITH ARI