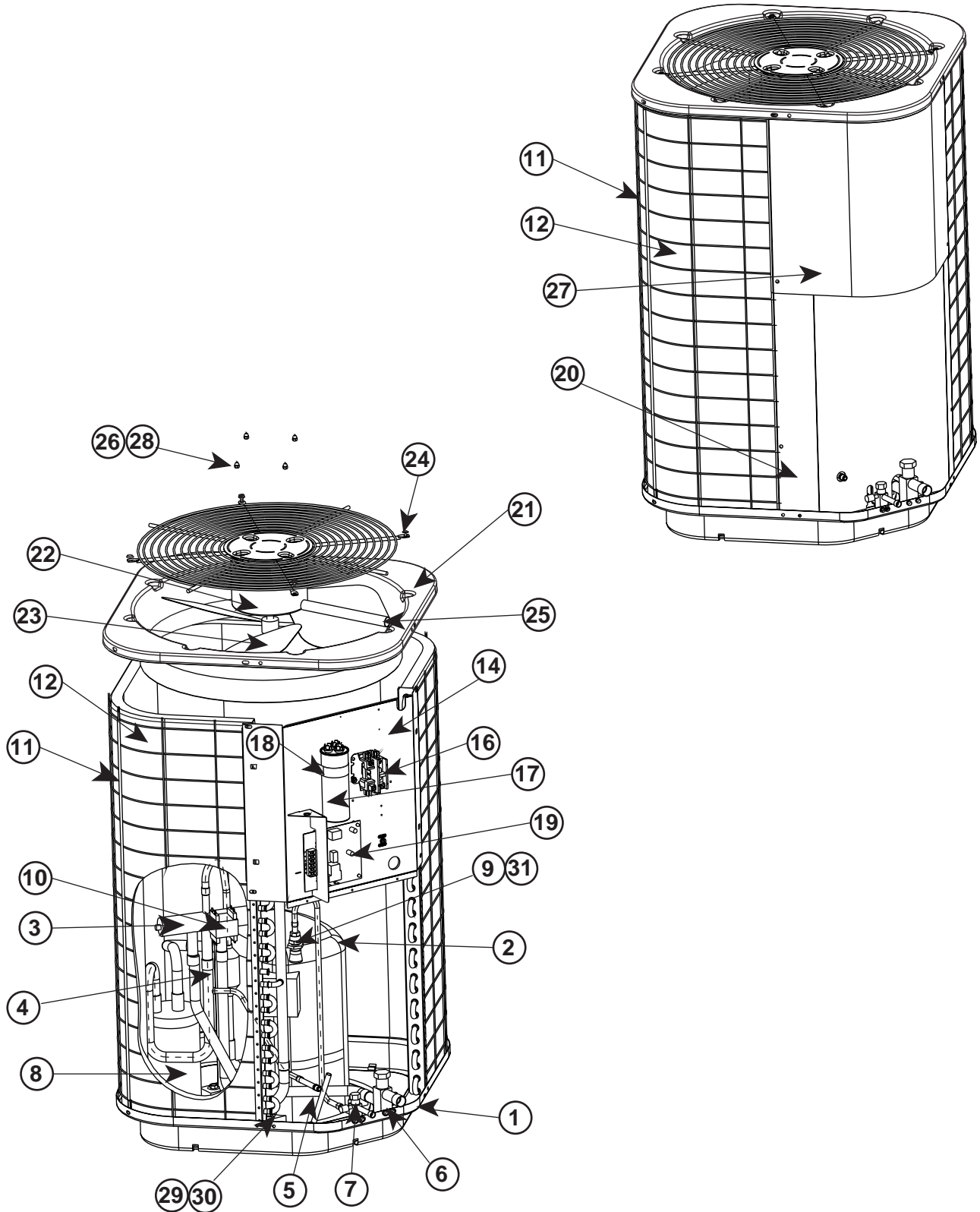


REPLACEMENT PARTS LIST

T3BD Series

13 SEER Residential
 Split System Heat Pump



T3BD Series 13 SEER Residential Split System Heat Pump

ITEM	DESCRIPTION	024K	030K	036K	042K	048K	QTY
1	Bottom Pan	494490	494490	494490	494490	494490	1
2	Compressor	914653	914654	914927	914655	917243	1
3	Reversing Valve	668767	668767	668769	668769	668769	1
4	Muffler	668710	668710	668710	668710	668710	1
5	Service Valve	663621	663621	663621	663621	663621	1
6	Refrigerant Valve (Large)	663575	663575	663576	663576	663576	1
7	Refrigerant Valve (Small)	663574	663574	663574	663574	663574	1
8	Accumulator	668853	668853	668794	668854	668854	1
9	Distributor Assembly (Not Shown)	663579	663579	663581	663582	663584	1
10	Reversing Valve Coil Assembly	668770	668770	668770	668770	668770	1
11	Coil Guard (Formed)	D09297	D09299	D09299	D09299	D09401	1
12	Outdoor Coil (Formed)	499532R	499533R	499534R	499535R	D10250R	1
13	Defrost Thermostat (Not Shown)	626342	626342	626342	626342	626342	1
14	Control Box	496540	496540	496540	496540	496540	1
15	Low Voltage Divider	258791	258791	258791	258791	258791	1
16	Contactora	621661	621661	621661	621662	621432	1
17	Capacitor	620763	620763	621635	620779	621466	1
18	Capacitor Strap	258780	258780	258780	258780	258780	1
19	Defrost Control Board	917178	917178	917178	917178	917178	1
20	Access Panel	374273	374274	374274	374274	374275	1
21	Top Pan	496162	496162	496162	496162	496162	1
22	Fan Motor	621305	621305	621305	621306	621306	1
23	Fan Blade	667211	667211	667211	667212	667212	1
24	Fan Grille	669202	669202	669202	669202	669202	1
25	Wire Conduit	258951	258951	258951	258951	258951	1
26	Nut, Acorn	606237	606237	606237	606237	606237	4
27	Control Box Cover	374260	374260	374260	374260	374260	1
28	Washer	612020	612020	612020	612020	612020	4
29	Grommet, Compressor	668530	668530	668530	668530	668530	4
30	Bolt, Compressor	600284	600284	600284	600284	600284	4
31	Liquid Line Solenoid Assembly (Not Shown)	917357	917357	-	-	-	1



EPA POLLUTION PREVENTER

As an Energy Star Partner, NORDYNE has determined that our selected products meet the Energy Star guidelines for energy efficiency.

Specify Model No. and Serial No. along with the exact part number(s) when ordering parts from the nearest authorized Dealer or Service Center.

